



CHENMKO ENTERPRISE CO.,LTD

Halogens free devices

SURFACE MOUNT GLASS PASSIVATED FAST RECOVERY SILICON RECTIFIER

VOLTAGE RANGE 50 - 1000 Volts CURRENT 1.0 Ampere

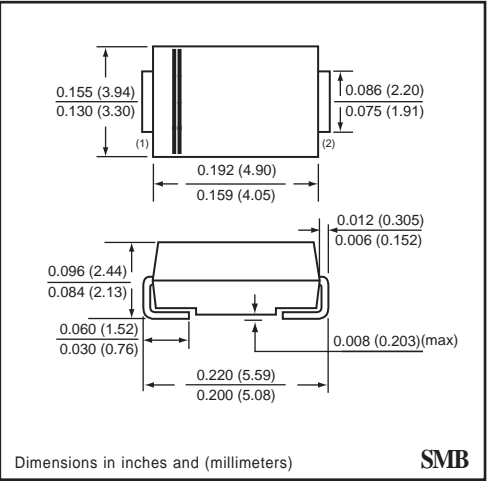
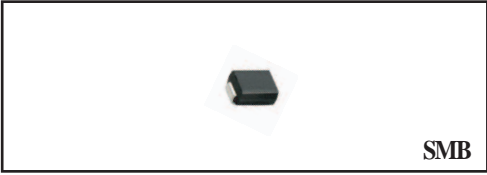
**FBM11GP
THRU
FBM17GP**

FEATURES

- * Low leakage current
- * Ideal for surface mounted applications
- * Metallurgically bonded construction
- * Fast recovery times for high efficiency
- * Plastic package has Underwriters Laboratory Flammability Classification 94V-0
- * Glass passivated junction
- * High temperature soldering guaranteed : 260°C/10 seconds at terminals

MECHANICAL DATA

Case: JEDEC SMB molded plastic
Terminals: Solder plated, solderable per MIL-STD-750, Method 2026
Polarity: Indicated by cathode band
Weight: 0.003 ounces, 0.093 gram



MAXIMUM RATINGS AND ELECTRICAL CHARACTERISTICS

Ratings at 25°C ambient temperature unless otherwise specified.
 Single phase, half wave, 60 Hz, resistive or inductive load.
 For capacitive load, derate current by 20%.

MAXIMUM RATINGS (At TA = 25°C unless otherwise noted)

| RATINGS | | SYMBOL | FBM11GP | FBM12GP | FBM13GP | FBM14GP | FBM15GP | FBM16GP | FBM17GP | UNITS |
|---|----------|----------|-------------|---------|---------|---------|---------|---------|---------|--------|
| Maximum Recurrent Peak Reverse Voltage | | VRRM | 50 | 100 | 200 | 400 | 600 | 800 | 1000 | Volts |
| Maximum RMS Voltage | | VRMS | 35 | 70 | 140 | 280 | 420 | 560 | 700 | Volts |
| Maximum DC Blocking Voltage | | Vdc | 50 | 100 | 200 | 400 | 600 | 800 | 1000 | Volts |
| Maximum Average Forward Rectified Current TL = 110°C | | Io | 1.0 | | | | | | | Amps |
| Peak Forward Surge Current 8.3 ms single half sine-wave superimposed on rated load (JEDEC method) | | IFSM | 30 | | | | | | | Amps |
| Typical Junction Capacitance (Note 1) | | CJ | 15 | | | | | | | pF |
| Maximum Thermal Resistance | (Note 2) | R θJL | 30 | | | | | | | °C / W |
| | (Note 3) | R θJA | 75 | | | | | | | °C / W |
| Operating and Storage Temperature Range | | TJ, TSTG | -65 to +150 | | | | | | | °C |

ELECTRICAL CHARACTERISTICS (At TA = 25°C unless otherwise noted)

| CHARACTERISTICS | | SYMBOL | FBM11GP | FBM12GP | FBM13GP | FBM14GP | FBM15GP | FBM16GP | FBM17GP | UNITS |
|--|--|--------|---------|---------|---------|---------|---------|---------|---------|-------|
| Maximum Instantaneous Forward Voltage at 1.0 A DC | | VF | 1.3 | | | | | | | Volts |
| Maximum DC Reverse Current at Rated DC Blocking Voltage at TA = 25°C | | IR | 5.0 | | | | | | | uAmps |
| Maximum Full Load Reverse Current Average, Full Cycle at TA = 55°C | | | 100 | | | | | | | uAmps |
| Maximum Reverse Recovery Time (Note 4) | | trr | 150 | | | 250 | 500 | | | nSec |

- NOTES : 1. Measured at 1.0 MHz and applied reverse voltage of 4.0 volts
 2. Thermal Resistance Junction to terminal 6.0 mm² copper pads to each terminal
 3. Thermal Resistance Junction to ambient 6.0 mm² copper pads to each terminal
 4. Test Conditions : IF = 0.5 A, IR = -1.0 A, IRR = -0.25 A

RATING CHARACTERISTIC CURVES (FBM11GP THRU FBM17GP)

FIG. 1 - TEST CIRCUIT DIAGRAM AND REVERSE RECOVERY TIME CHARACTERISTIC

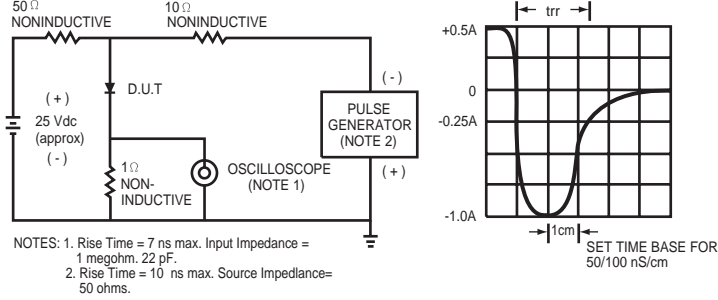


FIG. 2 - TYPICAL FORWARD CURRENT DERATING CURVE

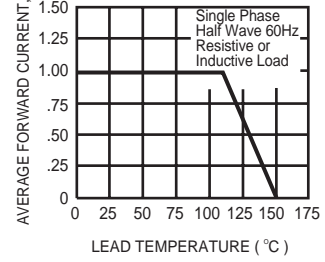


FIG. 3 - TYPICAL REVERSE CHARACTERISTICS

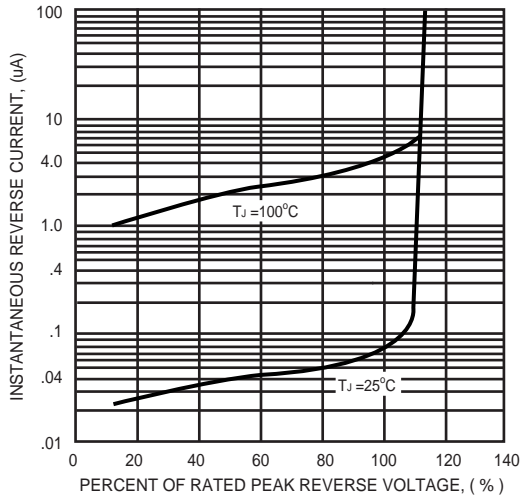


FIG. 4 - TYPICAL INSTANTANEOUS FORWARD CHARACTERISTICS

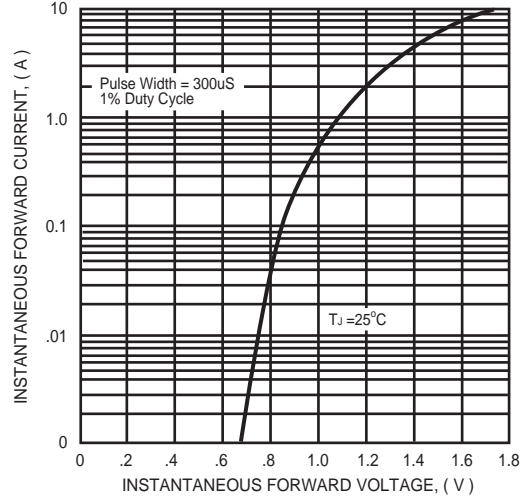


FIG. 5 - MAXIMUM NON-REPETITIVE FORWARD SURGE CURRENT

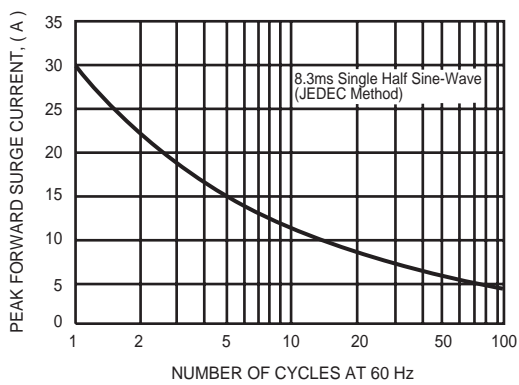


FIG. 6 - TYPICAL JUNCTION CAPACITANCE

